

## CS 20B

### Float Operated Condensate Drain

The CS 20B is used where large amounts of condensate (up to 300 litres/hour) need to be discharged from any point in a compressed air system.

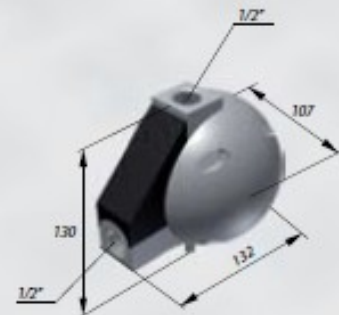
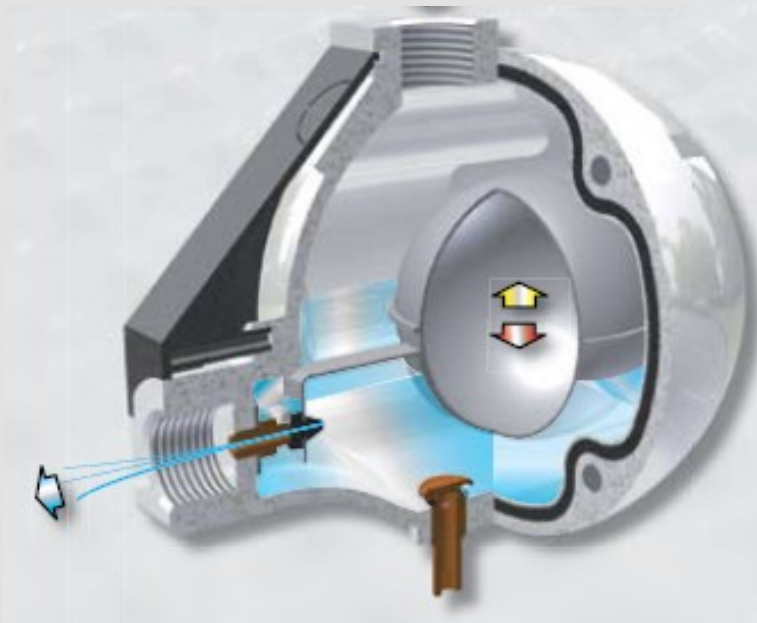
The unit operates reliably at pressures up to 20 barg (290 psig)

CS 20B is especially suited to large sites where the provision of a power supply may be prohibitive in terms of cost, or where the application of power may constitute a hazard.

The simple but rugged mechanism uses the principle of flotation to register the presence of condensate, and to physically open the discharge valve by displacement of the float. The option to use a balancing air connection to aid operation for heavy condensate flows is provided.

#### Technical data

- |                          |                         |
|--------------------------|-------------------------|
| • Material               | Aluminium alloy         |
| • Temperature range      | 1.5°C — 65°C            |
| • Pressure range         | 2—20 barg (30—290 psi)  |
| • Connection             | R 1/2" (inlet & outlet) |
| • Oil resistant 'O' ring |                         |





## CS 402

### Float Operated Condensate Drain

The CS 402 is ideal for use in smaller applications where the condensate flow is less than 20 litres/hour. Primarily the unit is designed to function in conjunction with a cyclone water separator, filter or small dryer (within physical limitations of size etc)

CS 402 operates reliably at pressures up to 10 barg (145 psig)

CS 402 is especially suited to large sites where the provision of a power supply may be prohibitive in terms of cost, or where the application of power may constitute a hazard.

The simple but rugged mechanism uses the principle of flotation to register the presence of condensate, and to physically open the discharge valve by displacement of the internal float.

#### Technical data

- Material Aluminium alloy body
- Polycarbonate bowl
- Temperature range 5°C — 60°C
- Pressure range 1—10 barg (15—145 psi)
- Connection R 1/2"
- Discharge port R 3/8"
- Oil resistant 'O' ring
- Height 184mm
- Diameter 82mm (max)

